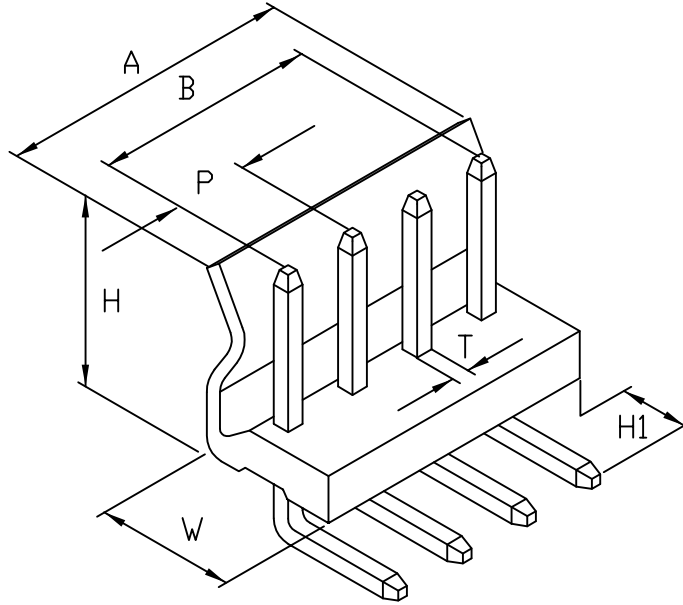


成品製造管制圖
 DRAWING OF FINISHED PRODUCTS

禁止使用1級環境管理物質
 Non-use Warranty for Level 1
 Prohibited Substances in Product.

Pich 5.08mm
 間距 (.200")



產品編號 Part No: JM2422-RB
 品名 Product: 塑膠公座-DIP CONNECTOR-DIP
 材質 Material: Housing: NYLON 94V-2
 Contact Pin: Brass, Tin plated.
 配合端子 Suitable Terminal: J24221BS
 配合塑膠 Suitable housing: JP2422-A
 額定電壓/電流 Current Rating:
 AC/DC250V 10A(18~24AWG#)
 絕緣阻抗 INS. Resistance: 1000M Ω Min.
 耐電壓 Withstand Voltage: 1000V AC/1minute.
 適用溫度 Operation Temp: -25°C~+85°C
 顏色 Colour: 本色 (Natural)

DIMENSION:(MM)

P:5.08 ± 0.1
 W:10.2 ± 0.2
 H:12.6 ± 0.3
 H1:3.6 ± 0.3
 T:□1.14 ± 0.03

PIN	A±0.3	B±0.2
2RB	10.0	5.08
3RB	15.08	10.16
4RB	20.16	15.24
5RB	25.24	20.32
6RB	30.32	25.40
7RB	35.40	30.48
8RB	40.48	35.56
9RB	45.56	40.64
10RB	50.64	45.72

* 本成品圖僅供參考,若需做為承認用請聯絡就近業務員確認
 (The drawing is for reference only,
 please contact the sales division nearby for final confirmation if it's for approval purpose.)

H/Q: Kaohsiung, Taiwan
 總公司: 高雄, 台灣
 TEL: 886-7-6223787
 FAX: 886-7-6210385
 E-mail: jmt6317@jmt.com.tw

Taipei Branch, Taiwan
 台北營業所
 TEL: 886-2-26940195-7
 FAX: 886-2-26940738
 E-mail: taipei.jmt@msa.hinet.net

Overseas, Taiwan
 外銷業務部
 TEL: 886-7-6223787
 FAX: 886-7-6210385
 E-mail: jmt6318@yahoo.com.tw