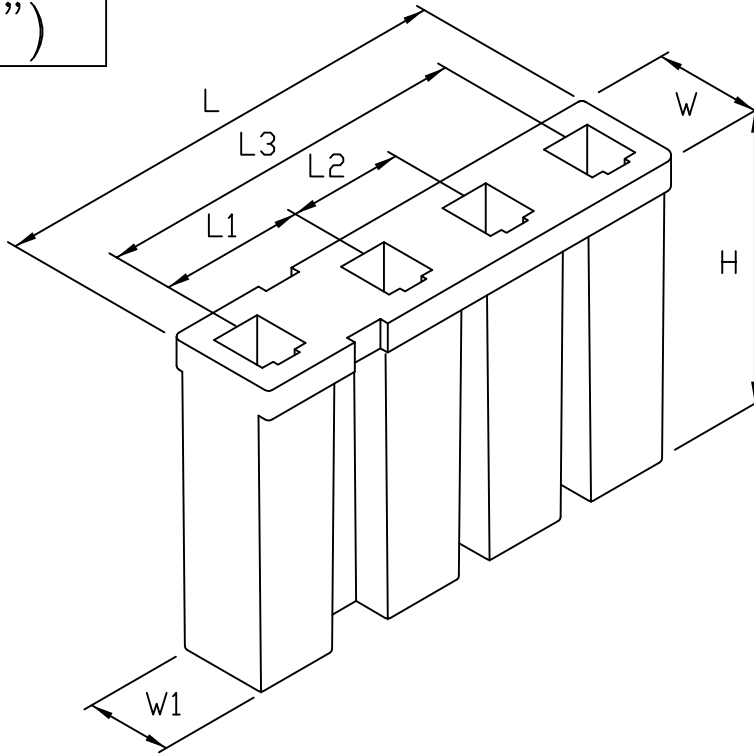


成品製造管制圖  
 DRAWING OF FINISHED PRODUCTS

禁止使用1級環境管理物質  
 Non-use Warranty for Level 1  
 Prohibited Substances in Product.

Pich 8.0mm  
 間距 (.315")



產品編號 Part No: JP1135-M  
 品名 Product: 塑膠母座 - HOUSING  
 材質 Material: Housing: NYLON 94V-2  
 配合端子 Suitable Terminal: J1135BS  
 配合塑膠 Suitable housing: JM1135-M  
 額定電壓/電流 Current Rating:  
 AC/DC250V 5A(18~24AWG#)  
 絕緣阻抗 INS. Resistance: 1000M Ω Min.  
 耐電壓 Withstand Voltage: 1000V AC/1minute.  
 適用溫度 Operation Temp: -25°C~+85°C  
 顏色 Colour: 黑色 (Black)

DIMENSION:(MM)

W: 7.6 ± 0.2  
 W1: 5.5 ± 0.2  
 H: 21.0 ± 0.3  
 L1: 10.0 ± 0.1  
 L2: 8.0 ± 0.1

PIN	L ± 0.3	L3 ± 0.2
1M	10.0	-
2M	18.6	-
3M	26.0	8.0
4M	34.0	16.0
5M	42.0	24.0
6M	50.0	32.0

\* 本成品圖僅供參考,若需做為承認用請聯絡就近業務員確認  
 (The drawing is for reference only,  
 please contact the sales division nearby for final confirmation if it's for approval purpose.)

H/Q: Kaohsiung, Taiwan  
 總公司: 高雄 台灣  
 TEL: 886-7-6223787  
 FAX: 886-7-6210385  
 E-mail: jmt6317@jmt.com.tw

Taipei Branch, Taiwan  
 台北營業所  
 TEL: 886-2-26940195-7  
 FAX: 886-2-26940738  
 E-mail: taipei.jmt@msa.hinet.net

Overseas, Taiwan  
 外銷業務部  
 TEL: 886-7-6223787  
 FAX: 886-7-6210385  
 E-mail: jmt6318@yahoo.com.tw