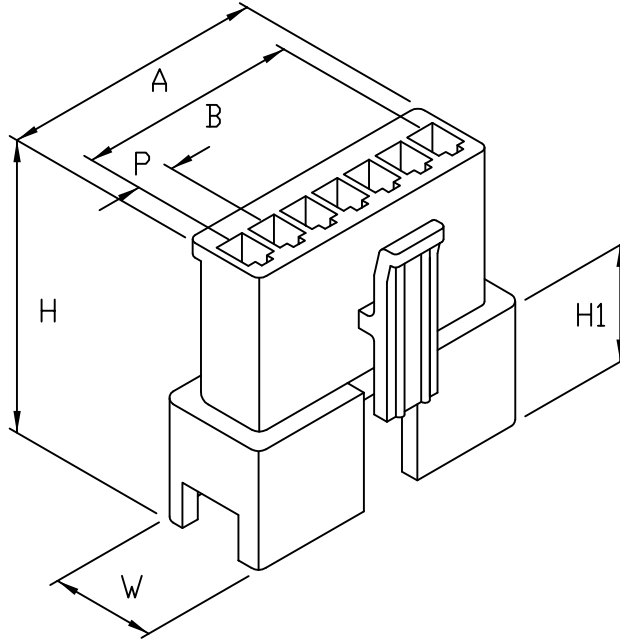


成品製造管制圖
 DRAWING OF FINISHED PRODUCTS

禁止使用1級環境管理物質
 Non-use Warranty for Level 1
 Prohibited Substances in Product.

Pich 2.5mm
 間距 (.098")



產品編號 Part No: H6504
 品名 Product: 塑膠母座 - HOUSING
 材質 Material: Housing: NYLON66 UL94V-2
 配合端子 Suitable Terminal: J25118BS
 配合塑膠 Suitable housing: H6503
 額定電壓/電流 Current Rating:
 AC/DC250V 3A(22~28AWG#)
 絕緣阻抗 INS. Resistance: 500M Ω Min.
 耐電壓 Withstand Voltage: 1000V AC/1minute.
 適用溫度 Operation Temp: -25°C~+85°C
 顏色 Colour: 黑色 (BLACK)

DIMENSION:(MM)
 P:2.5 ± 0.1
 W:7.5 ± 0.2
 H:18.5 ± 0.2
 H1:8.0 ± 0.2

PIN	A±0.3	B±0.2
2	5.6	2.5
3	8.1	5.0
4	10.6	7.5
5	13.1	10.0
6	15.6	12.5
7	18.1	15.0
8	20.6	17.5
9	23.1	20.0
10	25.6	22.5
11	28.1	25.0
12	30.6	27.5

* 本成品圖僅供參考,若需做為承認用請聯絡就近業務員確認
 (The drawing is for reference only,
 please contact the sales division nearby for final confirmation if it's for approval purpose.)

H/Q: Kaohsiung, Taiwan
 總公司: 高雄, 台灣
 TEL: 886-7-6223787
 FAX: 886-7-6210385
 E-mail: jmt6317@jmt.com.tw

Taipei Branch, Taiwan
 台北營業所
 TEL: 886-2-26940195-7
 FAX: 886-2-26940738
 E-mail: taipei.jmt@msa.hinet.net

Overseas, Taiwan
 外銷業務部
 TEL: 886-7-6223787
 FAX: 886-7-6210385
 E-mail: jmt6318@yahoo.com.tw