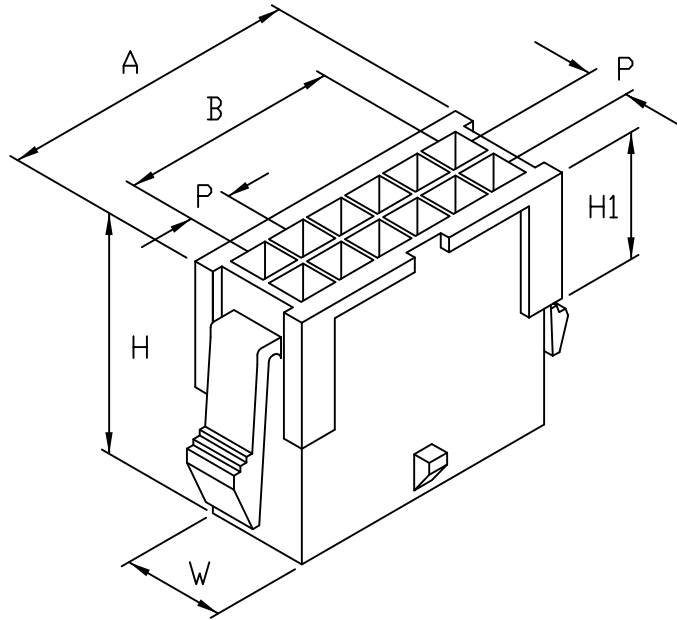


成品製造管制圖  
 DRAWING OF FINISHED PRODUCTS

禁止使用1級環境管理物質  
 Non-use Warranty for Level 1  
 Prohibited Substances in Product.

Pich 3.0mm  
 間距 (.118")



產品編號 Part No: JP2306-2x  
 品名 Product: 塑膠母座 - HOUSING  
 材質 Material: Housing: NYLON66 UL94V-2  
 配合端子 Suitable Terminal: J2306PS-2H  
 配合塑膠 Suitable housing: JP2316-2x  
 額定電壓/電流 Current Rating:  
 AC250V/DC350V 3A(20~24AWG#)  
 絕緣阻抗 INS. Resistance: 1000MΩ Min.  
 耐電壓 Withstand Voltage: 1000V AC/1minute.  
 適用溫度 Operation Temp: -25°C~+85°C  
 顏色 Colour: 黑色 (BLACK)

DIMENSION:(MM)

P: 3.0 ± 0.1  
 W: 7.0 ± 0.2  
 H: 17.2 ± 0.3  
 H1: 8.5 ± 0.3

PIN	A±0.3	B±0.2
2x1	5.6	-
2x2	8.6	3.0
2x3	11.6	6.0
2x4	14.6	9.0
2x5	17.6	12.0
2x6	20.6	15.0
2x7	23.6	18.0
2x8	26.6	21.0
2x9	29.6	24.0
2x10	32.6	27.0
2x11	35.6	30.0
2x12	38.6	33.0

\* 本成品圖僅供參考,若需做為承認用請聯絡就近業務員確認  
 (The drawing is for reference only,  
 please contact the sales division nearby for final confirmation if it's for approval purpose.)

H/Q: Kaohsiung, Taiwan  
 總公司: 高雄, 台灣  
 TEL: 886-7-6223787  
 FAX: 886-7-6210385  
 E-mail: jmt6317@jmt.com.tw

Taipei Branch, Taiwan  
 台北營業所  
 TEL: 886-2-26940195-7  
 FAX: 886-2-26940738  
 E-mail: taipei.jmt@msa.hinet.net

Overseas, Taiwan  
 外銷業務部  
 TEL: 886-7-6223787  
 FAX: 886-7-6210385  
 E-mail: jmt6318@yahoo.com.tw