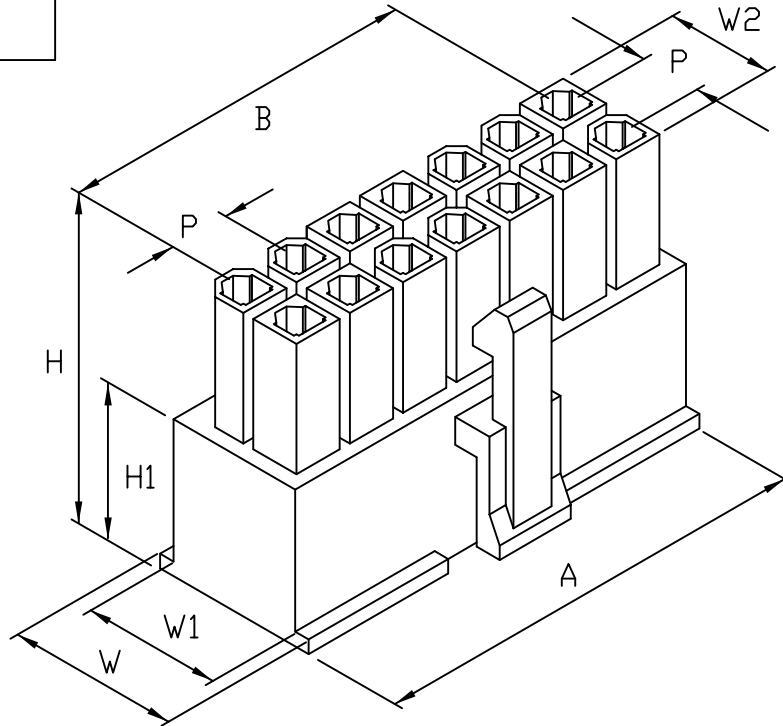


成品製造管制圖
 DRAWING OF FINISHED PRODUCTS

禁止使用1級環境管理物質
 Non-use Warranty for Level 1
 Prohibited Substances in Product.

Pich 4.2mm
 間距 (.165")



產品編號 Part No: JP2416
 品名 Product: 塑膠母座 - HOUSING
 材質 Material: Housing: NYLON 94V-2
 配合端子 Suitable Terminal: J2416BS
 配合塑膠 Suitable housing: JP2016
 額定電壓/電流 Current Rating:
 AC250V/DC350V 5A(18~24AWG#)
 絕緣阻抗 INS. Resistance: 1000MΩ Min.
 耐電壓 Withstand Voltage: 1500V AC/1minute.
 適用溫度 Operation Temp: -25°C~+85°C
 顏色 Colour: 本色 (Natural)

DIMENSION:(MM)

P:4.2 ± 0.1
 W:11.6 ± 0.2
 W1:9.6 ± 0.3
 W2:7.6 ± 0.15
 H:19.6 ± 0.3
 H1:10.7 ± 0.3

| PIN | A±0.3 | B±0.2 |
|------|-------|-------|
| 2x1 | 5.4 | - |
| 2x2 | 9.6 | 4.2 |
| 2x3 | 13.8 | 8.4 |
| 2x4 | 18.0 | 12.6 |
| 2x5 | 22.2 | 16.8 |
| 2x6 | 26.4 | 21.0 |
| 2x7 | 30.6 | 25.2 |
| 2x8 | 34.8 | 29.4 |
| 2x9 | 39.0 | 33.6 |
| 2x10 | 43.2 | 37.8 |
| 2x11 | 47.4 | 42.0 |
| 2x12 | 51.6 | 46.2 |

* 本成品圖僅供參考,若需做為承認用請聯絡就近業務員確認
 (The drawing is for reference only,
 please contact the sales division nearby for final confirmation if it's for approval purpose.)

H/Q: Kaohsiung, Taiwan
 總公司: 高雄, 台灣
 TEL: 886-7-6223787
 FAX: 886-7-6210385
 E-mail: jmt6317@jmt.com.tw

Taipei Branch, Taiwan
 台北營業所
 TEL: 886-2-26940195-7
 FAX: 886-2-26940738
 E-mail: taipei.jmt@msa.hinet.net

Overseas, Taiwan
 外銷業務部
 TEL: 886-7-6223787
 FAX: 886-7-6210385
 E-mail: jmt6318@yahoo.com.tw