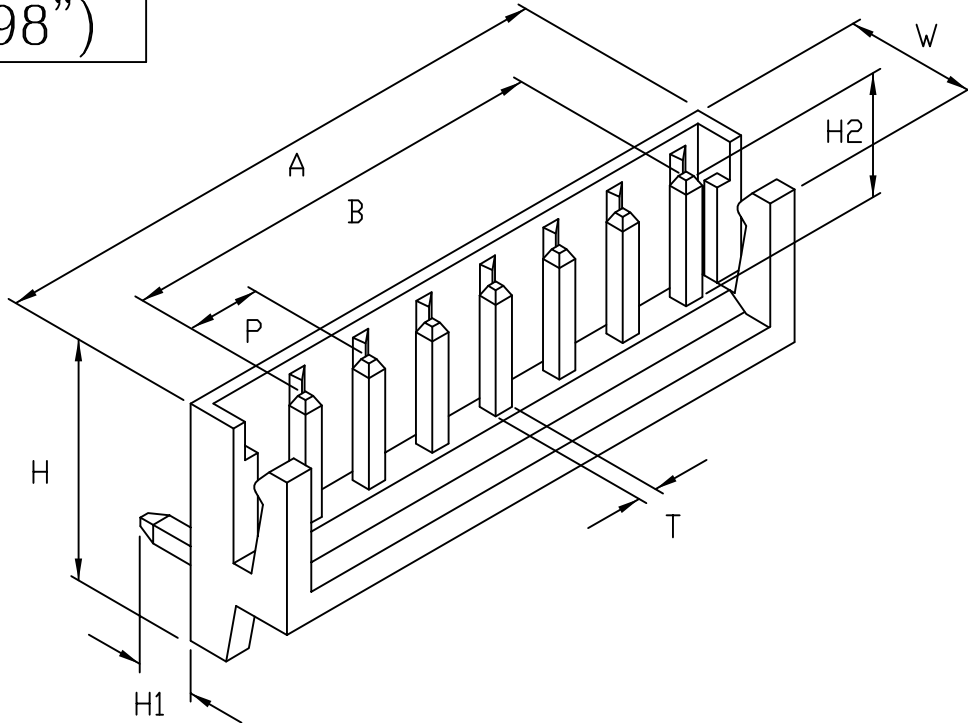


成品製造管制圖
 DRAWING OF FINISHED PRODUCTS

禁止使用1級環境管理物質
 Non-use Warranty for Level 1
 Prohibited Substances in Product.

Pich 2.5mm
 間距 (.098")



產品編號 Part No: JM24188-R
 品名 Product: 塑膠公座-DIP CONNECTOR-DIP
 材質 Material: Housing: NYLON 94V-0
 Contact Pin: Brass, Tin plated.
 配合端子 Suitable Terminal: J24188
 配合塑膠 Suitable housing: JP24188
 額定電壓/電流 Current Rating:
 AC/DC250V 2A(22~30AWG#)
 絕緣阻抗 INS. Resistance: 1000MΩ Min.
 耐電壓 Withstand Voltage: 1000V AC/1minute.
 適用溫度 Operation Temp: -25°C~+85°C
 顏色 Colour: 本色 (Natural)

DIMENSION:(MM)

P: 2.5 ± 0.1
 T: □ 0.64 ± 0.1
 H: 8.2 ± 0.3
 H1: 3.2 ± 0.2
 H2: 3.9 ± 0.2
 W: 3.8 ± 0.3

PIN	A±0.3	B±0.2
2R	7.5	2.5
3R	10.0	5.0
4R	12.5	7.5
5R	15.0	10.0
6R	17.5	12.5
7R	20.0	15.0
8R	22.5	17.5
9R	25.0	20.0
10R	27.5	22.5
11R	30.0	25.0
12R	32.5	27.5
13R	35.0	30.0
14R	37.5	32.5
15R	40.0	35.0

* 本成品圖僅供參考, 若需做為承認用請聯絡就近業務員確認
 (The drawing is for reference only,
 please contact the sales division nearby for final confirmation if it's for approval purpose.)

H/Q: Kaohsiung, Taiwan
 總公司: 高雄, 台灣
 TEL: 886-7-6223787
 FAX: 886-7-6210385
 E-mail: jmt6317@jmt.com.tw

Taipei Branch, Taiwan
 台北營業所
 TEL: 886-2-26940195-7
 FAX: 886-2-26940738
 E-mail: taipei.jmt@msa.hinet.net

Overseas, Taiwan
 外銷業務部
 TEL: 886-7-6223787
 FAX: 886-7-6210385
 E-mail: jmt6318@yahoo.com.tw