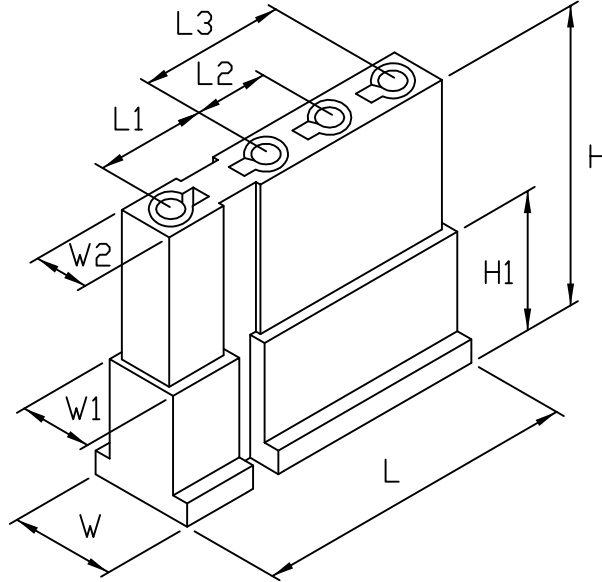


成品製造管制圖  
 DRAWING OF FINISHED PRODUCTS

禁止使用1級環境管理物質  
 Non-use Warranty for Level 1  
 Prohibited Substances in Product.

Pich 5.0mm  
 間距 (.197")



產品編號 Part No: JP1138  
 品名 Product: 塑膠母座 - HOUSING  
 材質 Material: Housing: NYLON 94V-2  
 配合端子 Suitable Terminal: J1138BS  
 配合塑膠 Suitable housing: JM1138  
 額定電壓/電流 Current Rating:  
 AC/DC250V 5A(18~22AWG#)  
 絕緣阻抗 INS. Resistance: 1000M Ω Min.  
 耐電壓 Withstand Voltage: 1500V AC/1minute.  
 適用溫度 Operation Temp: -25°C~+85°C  
 顏色 Colour: 本色 (Natural)

DIMENSION:(MM)

W:7.0 ± 0.2  
 W1:4.9 ± 0.2  
 W2:3.9 ± 0.2  
 L1:7.5 ± 0.15  
 L2:5.0 ± 0.15  
 H:18.5 ± 0.3  
 H1:8.0 ± 0.25

PIN	L±0.3	L3±0.2
2	12.2	-
3	17.2	5.0
4	22.2	10.0
5	27.2	15.0
6	32.2	20.0

\* 本成品圖僅供參考,若需做為承認用請聯絡就近業務員確認  
 (The drawing is for reference only,  
 please contact the sales division nearby for final confirmation if it's for approval purpose.)

H/Q: Kaohsiung, Taiwan  
 總公司: 高雄, 台灣  
 TEL: 886-7-6223787  
 FAX: 886-7-6210385  
 E-mail: jmt6317@jmt.com.tw

Taipei Branch, Taiwan  
 台北營業所  
 TEL: 886-2-26940195-7  
 FAX: 886-2-26940738  
 E-mail: taipei.jmt@msa.hinet.net

Overseas, Taiwan  
 外銷業務部  
 TEL: 886-7-6223787  
 FAX: 886-7-6210385  
 E-mail: jmt6318@yahoo.com.tw