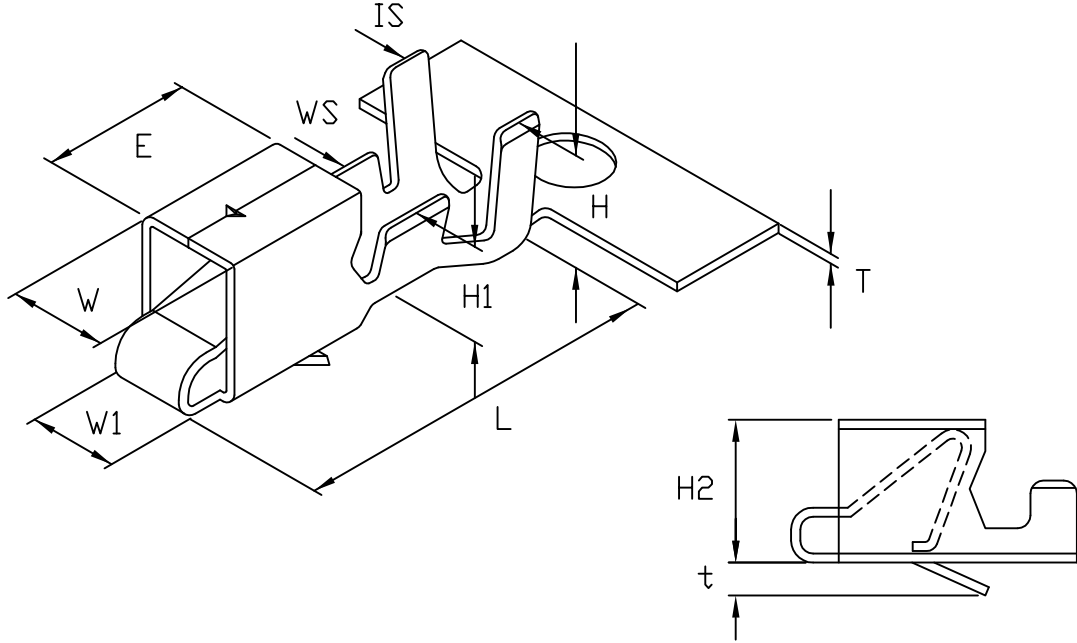


成品製造管制圖
 DRAWING OF FINISHED PRODUCTS

禁止使用1級環境管理物質
 Non-use Warranty for Level 1
 Prohibited Substances in Product.

Pich 3.96mm
 間距 (.156")



產品編號 Part No: J24228BS
 品名 Product: 端子 TERMINAL
 材質 Material: Brass/Phos
 材料厚度 Thickness: 0.25mm
 包裝數量 Standard Packing: 4000PCS
 適用電線 Suitable Wire: 18~22AWG
 配合端子 Suitable Terminal: JM24228
 配合塑膠 Suitable housing: JP24228
 表面處理 Treatment: -0 無表面處理, -00 鍍金, -1 鍍鎳, -2 鍍錫
 (-0 Non surface treatment
 ,-00 Gold flash,-1 Nickel played,-2 Tin plated)

DIMENSION:(MM)

T:0.25 ± 0.03
 L:10.6 ± 0.3
 E:4.0 ± 0.25
 W:3.0 ± 0.15
 W1:2.0 ± 0.15
 IS:4.0 ± 0.35
 WS:2.6 ± 0.3
 H:3.7 ± 0.35
 H1:2.4 ± 0.3
 H2:3.8 ± 0.15
 t:0.9 ± 0.2

* 本成品圖僅供參考,若需做為承認用請聯絡就近業務員確認
 (The drawing is for reference only,
 please contact the sales division nearby for final confirmation if it's for approval purpose.)

H/Q: Kaohsiung, Taiwan
 總公司: 高雄, 台灣
 TEL: 886-7-6223787
 FAX: 886-7-6210385
 E-mail: jmt6317@jmt.com.tw

Taipei Branch, Taiwan
 台北營業所
 TEL: 886-2-26940195-7
 FAX: 886-2-26940738
 E-mail: taipei.jmt@msa.hinet.net

Overseas, Taiwan
 外銷業務部
 TEL: 886-7-6223787
 FAX: 886-7-6210385
 E-mail: jmt6318@yahoo.com.tw