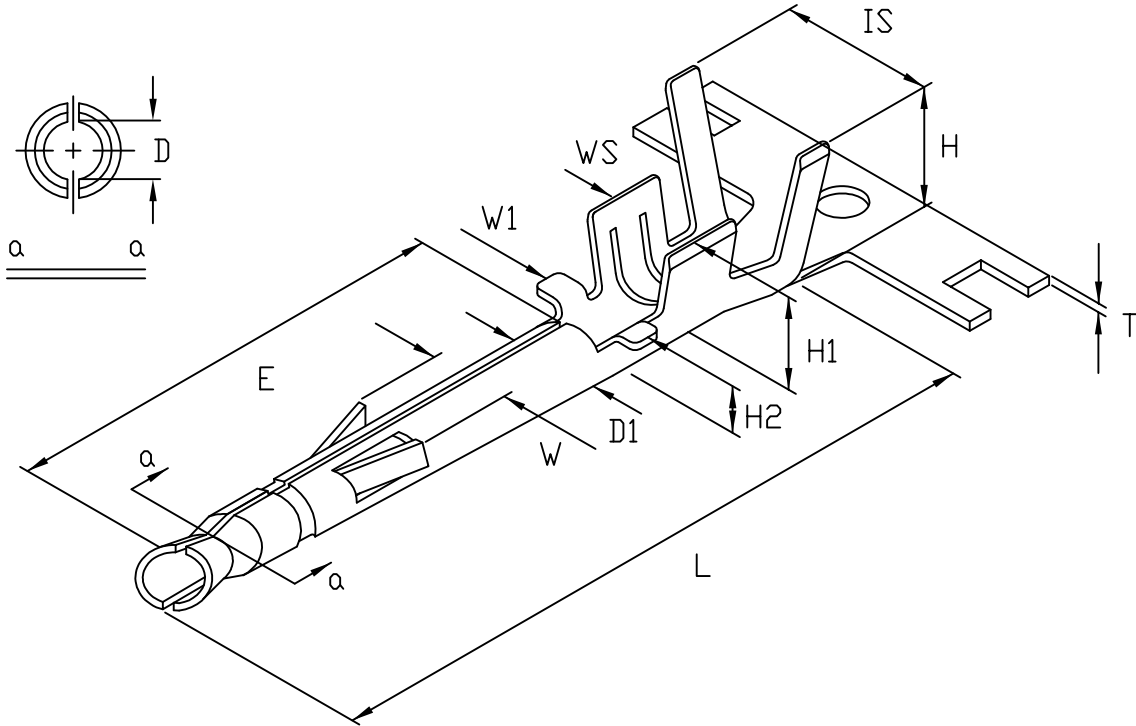


成品製造管制圖

DRAWING OF FINISHED PRODUCTS

禁止使用1級環境管理物質
 Non-use Warranty for Level 1
 Prohibited Substances in Product.

Type/Pich	1.3 ϕ (<177")
形式/間距	4.5mm



產品編號 Part No: J1130BS-2EL

品名 Product: 端子 TERMINAL

材質 Material: Brass

材料厚度 Thickness: 0.2mm

包裝數量 Standard Packing: 5000PCS

適用電線 Suitable Wire: 16~20AWG

配合端子 Suitable Terminal: J1030BS-2EL

配合塑膠 Suitable housing: JP1130-EL

表面處理 Treatment: -0 無表面處理, -00 鍍金, -1 鍍鎳, -2 鍍錫

(-0 Non surface treatment

, -00 Gold flash, -1 Nickel played, -2 Tin plated)

DIMENSION:(MM)

T:0.2 ± 0.03

L:18.1 ± 0.3

E:11.5 ± 0.3

IS:4.6 ± 0.35

WS:2.4 ± 0.3

W1:3.0 ± 0.25

W:3.7 ± 0.25

H:4.2 ± 0.25

H1:2.7 ± 0.2

D:1.3 ± 0.1

D1:2.1 ± 0.1

* 本成品圖僅供參考, 若需做為承認用請聯絡就近業務員確認

(The drawing is for reference only,

please contact the sales division nearby for final confirmation if it's for approval purpose.)

H/Q: Kaohsiung, Taiwan

總公司: 高雄, 台灣

TEL: 886-7-6223787

FAX: 886-7-6210385

E-mail: jmt6317@jmt.com.tw

Taipei Branch, Taiwan

台北營業所

TEL: 886-2-26940195-7

FAX: 886-2-26940738

E-mail: taipei.jmt@msa.hinet.net

Overseas, Taiwan

外銷業務部

TEL: 886-7-6223787

FAX: 886-7-6210385

E-mail: jmt6318@yahoo.com.tw