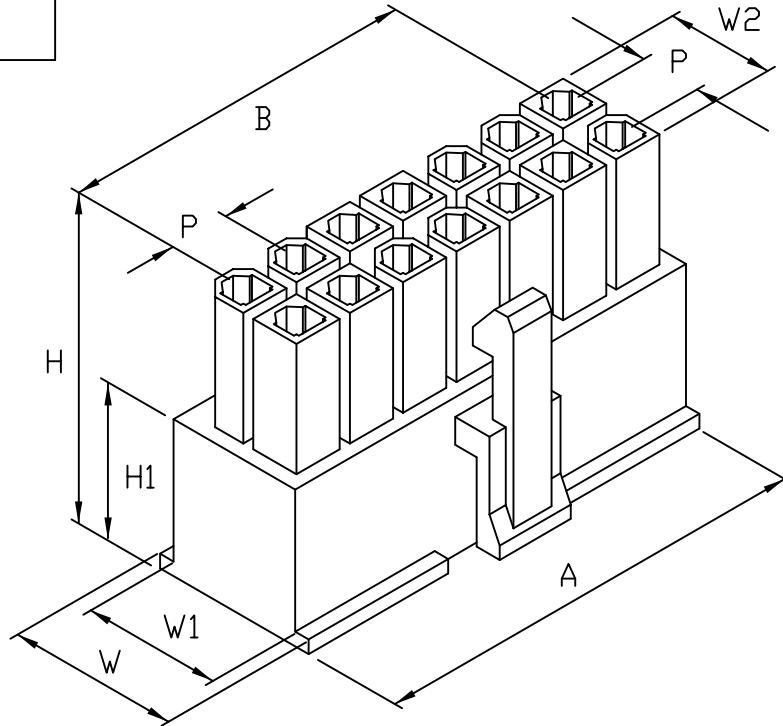


成品製造管制圖  
 DRAWING OF FINISHED PRODUCTS

禁止使用1級環境管理物質  
 Non-use Warranty for Level 1  
 Prohibited Substances in Product.

Pich 4.2mm  
 間距 (.165")



產品編號 Part No: JP2416  
 品名 Product: 塑膠母座 - HOUSING  
 材質 Material: Housing: NYLON66 94V-2  
 配合端子 Suitable Terminal: J2416BS  
 配合塑膠 Suitable housing: JP2016  
 額定電壓/電流 Current Rating:  
 AC250V/DC350V 5A(18~24AWG#)  
 絕緣阻抗 INS. Resistance: 1000MΩ Min.  
 耐電壓 Withstand Voltage: 1500V AC/1minute.  
 適用溫度 Operation Temp: -25°C~+85°C  
 顏色 Colour: 本色 (Natural)

DIMENSION:(MM)

P:4.2 ± 0.1  
 W:11.6 ± 0.2  
 W1:9.6 ± 0.3  
 W2:7.6 ± 0.15  
 H:19.6 ± 0.3  
 H1:10.7 ± 0.3

| PIN  | A±0.3 | B±0.2 |
|------|-------|-------|
| 2x1  | 5.4   | -     |
| 2x2  | 9.6   | 4.2   |
| 2x3  | 13.8  | 8.4   |
| 2x4  | 18.0  | 12.6  |
| 2x5  | 22.2  | 16.8  |
| 2x6  | 26.4  | 21.0  |
| 2x7  | 30.6  | 25.2  |
| 2x8  | 34.8  | 29.4  |
| 2x9  | 39.0  | 33.6  |
| 2x10 | 43.2  | 37.8  |
| 2x11 | 47.4  | 42.0  |
| 2x12 | 51.6  | 46.2  |

\* 本成品圖僅供參考,若需做為承認用請聯絡就近業務員確認  
 (The drawing is for reference only,  
 please contact the sales division nearby for final confirmation if it's for approval purpose.)

H/Q: Kaohsiung, Taiwan  
 總公司: 高雄, 台灣  
 TEL: 886-7-6223787  
 FAX: 886-7-6210385  
 E-mail: jmt6317@jmt.com.tw

Taipei Branch, Taiwan  
 台北營業所  
 TEL: 886-2-26940195-7  
 FAX: 886-2-26940738  
 E-mail: taipei.jmt@msa.hinet.net

Overseas, Taiwan  
 外銷業務部  
 TEL: 886-7-6223787  
 FAX: 886-7-6210385  
 E-mail: jmt6318@yahoo.com.tw