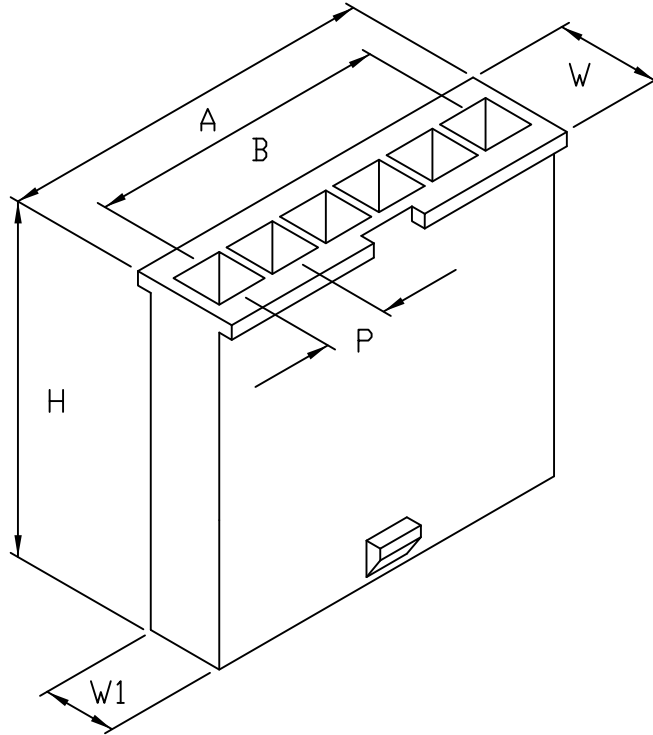


成品製造管制圖  
 DRAWING OF FINISHED PRODUCTS

禁止使用1級環境管理物質  
 Non-use Warranty for Level 1  
 Prohibited Substances in Product.

Pich 4.2mm  
 間距 (.165")



產品編號 Part No: JP2016-1x2-1  
 品名 Product: 塑膠母座 - HOUSING  
 材質 Material: Housing: NYLON66 UL94V-2  
 配合端子 Suitable Terminal: J2016BS  
 配合塑膠 Suitable housing: JP2416-1x  
 額定電壓/電流 Current Rating:  
 AC250V/DC350V 5A(18~24AWG#)  
 絕緣阻抗 INS. Resistance: 1000MΩ Min.  
 耐電壓 Withstand Voltage: 1500V AC/1minute.  
 適用溫度 Operation Temp: -25°C~+85°C  
 顏色 Colour: 本色 (Natural)

DIMENSION:(MM)  
 P:4.2 ± 0.1  
 W:7.4 ± 0.2  
 W1:5.4 ± 0.3  
 H:24.0 ± 0.3

PIN	A±0.3	B±0.2
1x2-1	9.6	4.2
1x3-1	13.8	8.4
1x4-1	18.0	12.6
1x5-1	22.2	16.8
1x6-1	26.4	21.0

\* 本成品圖僅供參考,若需做為承認用請聯絡就近業務員確認  
 (The drawing is for reference only,  
 please contact the sales division nearby for final confirmation if it's for approval purpose.)

H/Q: Kaohsiung, Taiwan  
 總公司: 高雄, 台灣  
 TEL: 886-7-6223787  
 FAX: 886-7-6210385  
 E-mail: jmt6317@jmt.com.tw

Taipei Branch, Taiwan  
 台北營業所  
 TEL: 886-2-26940195-7  
 FAX: 886-2-26940738  
 E-mail: taipei.jmt@msa.hinet.net

Overseas, Taiwan  
 外銷業務部  
 TEL: 886-7-6223787  
 FAX: 886-7-6210385  
 E-mail: jmt6318@yahoo.com.tw