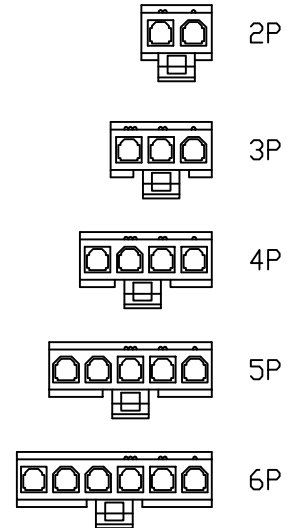
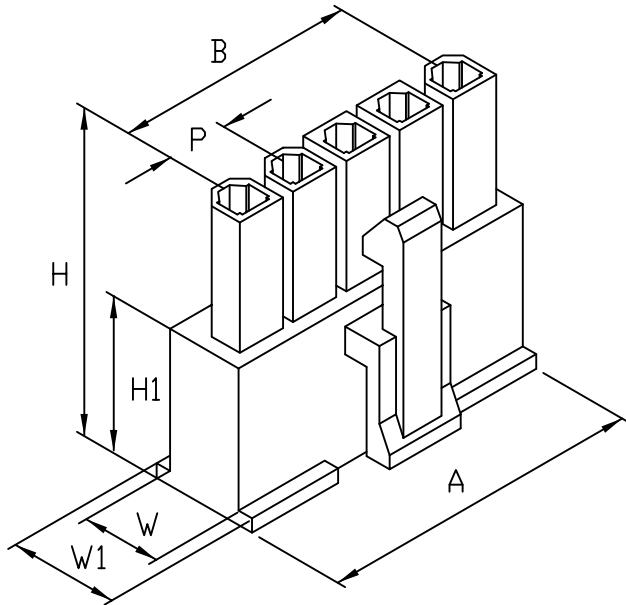


成品製造管制圖
 DRAWING OF FINISHED PRODUCTS

禁止使用1級環境管理物質
 Non-use Warranty for Level 1
 Prohibited Substances in Product.

Pich 4.2mm
 間距 (.165")



產品編號 Part No: JP2416V2-1x
 品名 Product: 塑膠母座 - HOUSING
 材質 Material: Housing: NYLON66 94V-2
 配合端子 Suitable Terminal: J2416BS
 配合塑膠 Suitable housing: JP2016V2-1x
 額定電壓/電流 Current Rating:
 AC250V/DC350V 5A(18~24AWG#)

DIMENSION:(MM)
 P:4.2 ± 0.1
 H:19.8 ± 0.3
 H1:10.7 ± 0.3
 W:5.4 ± 0.3
 W1:7.4 ± 0.3

PIN	A±0.3	B±0.2
1x2	9.6	4.2
1x3	13.8	8.4
1x4	18.0	12.6
1x5	22.2	16.8
1x6	26.4	21.0

絕緣阻抗 INS. Resistance: 1000M Ω Min.
 耐電壓 Withstand Voltage: 1500V AC/1minute.
 適用溫度 Operation Temp: -25°C~+85°C
 顏色 Colour: 本色 (Natural)

* 本成品圖僅供參考,若需做為承認用請聯絡就近業務員確認
 (The drawing is for reference only,
 please contact the sales division nearby for final confirmation if it's for approval purpose.)

H/Q: Kaohsiung, Taiwan
 總公司: 高雄, 台灣
 TEL: 886-7-6223787
 FAX: 886-7-6210385
 E-mail: jmt6317@jmt.com.tw

Taipei Branch, Taiwan
 台北營業所
 TEL: 886-2-26940195-7
 FAX: 886-2-26940738
 E-mail: taipei.jmt@msa.hinet.net

Overseas, Taiwan
 外銷業務部
 TEL: 886-7-6223787
 FAX: 886-7-6210385
 E-mail: jmt6318@yahoo.com.tw