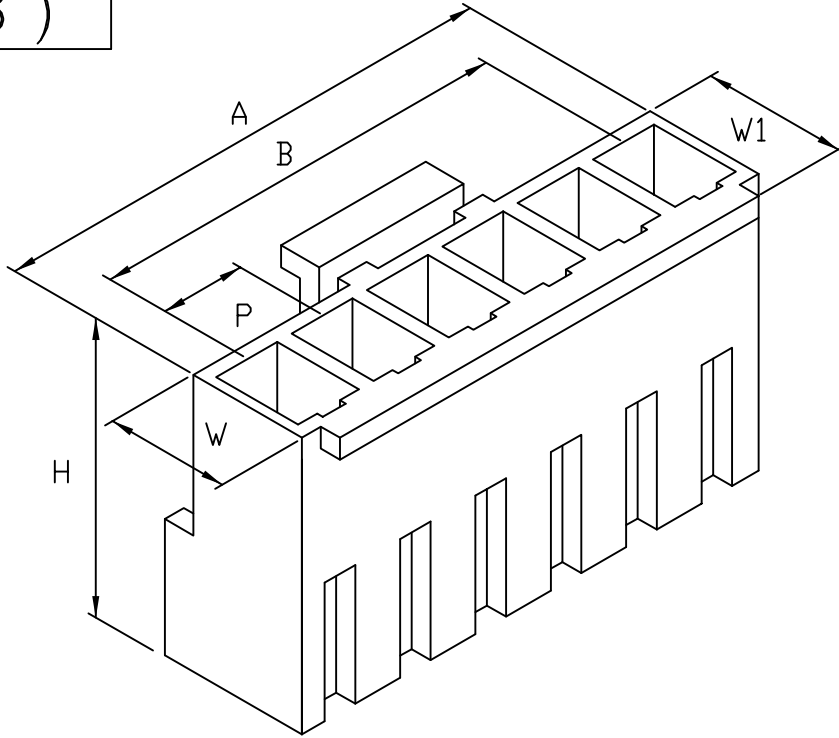


成品製造管制圖
 DRAWING OF FINISHED PRODUCTS

禁止使用1級環境管理物質
 Non-use Warranty for Level 1
 Prohibited Substances in Product.

Pitch 3.96mm
 間距 (.156")



產品編號 Part No: JP24228
 品名 Product: 塑膠母座 - HOUSING
 材質 Material: Housing: NYLON 94V-0
 配合端子 Suitable Terminal: J24228PS
 配合塑膠 Suitable housing: JM24228
 額定電壓/電流 Current Rating:
 AC/DC250V 7A(18~22AWG#)
 絕緣阻抗 INS. Resistance: 1000M Ω Min.
 耐電壓 Withstand Voltage: 1500V AC/1minute.
 適用溫度 Operation Temp: -25°C~+85°C
 顏色 Colour: 本色 (Natural)

DIMENSION:(MM)

P:3.96 ± 0.1
 W:5.8 ± 0.2
 W1:6.7 ± 0.3
 H:13.5 ± 0.3

PIN	A±0.3	B±0.2
2	8.15	3.96
3	12.11	7.92
4	16.07	11.88
5	20.03	15.84
6	23.99	19.80
7	27.95	23.76
8	31.91	27.72
9	35.87	31.68
10	39.83	35.64
11	43.79	39.60
12	47.75	43.56
13	51.71	47.52
14	55.67	51.48
15	59.63	55.44
16	63.59	59.40

* 本成品圖僅供參考, 若需做為承認用請聯絡就近業務員確認
 (The drawing is for reference only,
 please contact the sales division nearby for final confirmation if it's for approval purpose.)