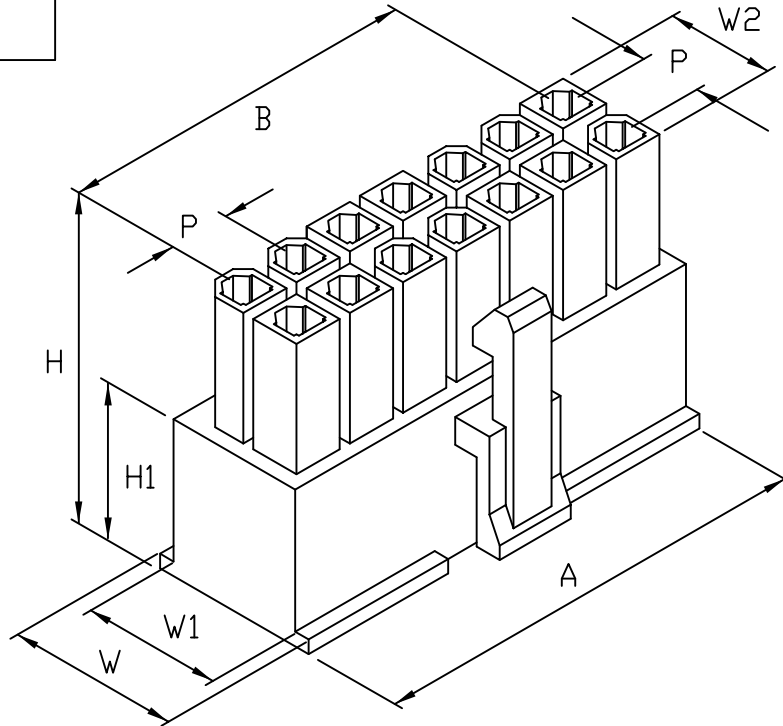


成品製造管制圖
 DRAWING OF FINISHED PRODUCTS

禁止使用1級環境管理物質
 Non-use Warranty for Level 1
 Prohibited Substances in Product.

Pitch 4.2mm
 間距 (.165")



產品編號 Part No: JP2416

品名 Product: 塑膠母座 - HOUSING

材質 Material: Housing: NYLON66 94V-2/V-0

配合端子 Suitable Terminal: J2416BS

配合塑膠 Suitable housing: JM2416

額定電壓/電流 Current Rating:

AC/DC250V 5A(18~24AWG#)

絕緣阻抗 INS. Resistance: 1000MΩ Min.

耐電壓 Withstand Voltage: 1000V AC/1minute.

適用溫度 Operation Temp: -25°C~+85°C

顏色 Colour: 本色 (Natural)

DIMENSION:(MM)

P:4.2 ± 0.1

W:11.6 ± 0.2

W1:9.6 ± 0.3

W2:7.6 ± 0.15

H:19.6 ± 0.3

H1:10.7 ± 0.3

PIN	A±0.3	B±0.2
2x1	5.4	-
2x2	9.6	4.2
2x3	13.8	8.4
2x4	18.0	12.6
2x5	22.2	16.8
2x6	26.4	21.0
2x7	30.6	25.2
2x8	34.8	29.4
2x9	39.0	33.6
2x10	43.2	37.8
2x11	47.4	42.0
2x12	51.6	46.2

* 本成品圖僅供參考,若需做為承認用請聯絡就近業務員確認

(The drawing is for reference only, please contact the sales division nearby for final confirmation if it's for approval purpose.)