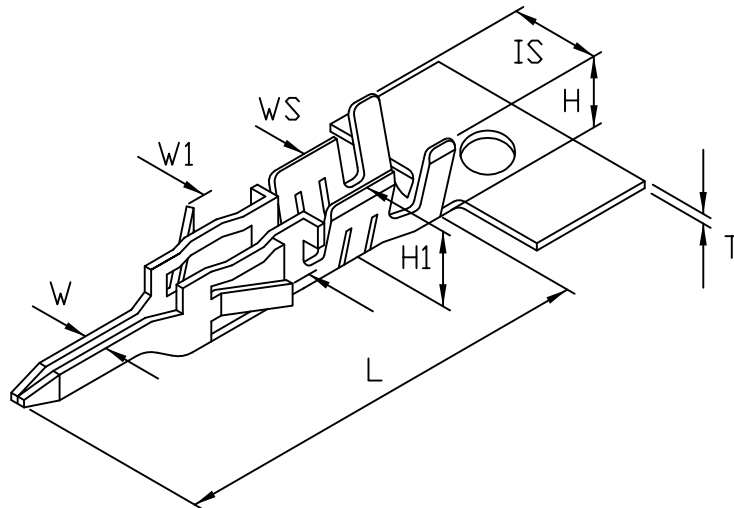


# DRAWING OF FINISHED PRODUCTS



ITEM NO: J2306PS-2H

MATERIAL: PHOS

THICKNESS: 0.2

HARDNESS: H

PLATING: TIN 40 $\mu$ " MIN.

WIRE RANGE: (AWG) 20~24

CONTACT RESISTANCE: 10M $\Omega$  MAX.

INSULATION RESISTANCE: 1.000M $\Omega$  MIN.

VOLTAGE RATING: AC, DC, 250V

CURRENT RATING: AC, DC, 5A .MAX

TEMPERATURE RANGE: -25 $^{\circ}$ C TO +85 $^{\circ}$ C

DIMENSION: (MM)

T: 0.2  $\pm$  0.03

L: 12.5  $\pm$  0.25

IS: 2.5  $\pm$  0.25

WS: 2.1  $\pm$  0.25

W: 0.64  $\pm$  0.05

W1: 2.3  $\pm$  0.25

H: 2.3  $\pm$  0.25

H1: 2.0  $\pm$  0.25

HANDLED BY

APPROVED BY

捷仕美精工股份有限公司  
JUST MAKE TERMINAL & MACHINE CO.,LTD,

總公司: 高雄市岡山區為隨里為隨西路85號  
電話: (07)6223787 傳真: (07)6210385  
台北營業所: 新北市汐止區環河街88巷3弄18號  
電話: (02)26940195~7 傳真: (02)26940738