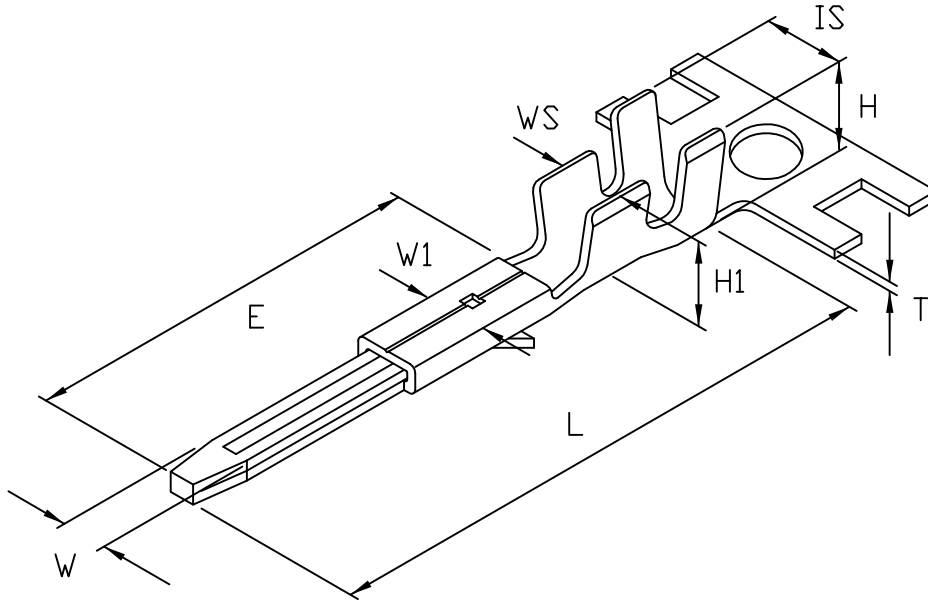


成品製造管制圖  
 DRAWING OF FINISHED PRODUCTS

禁止使用1級環境管理物質  
 Non-use Warranty for Level 1  
 Prohibited Substances in Product.

Pich 公端子 2.5mm  
 間距 (.098")



產品編號 Part No: J25118BS  
 品名 Product: 端子 TERMINAL  
 材質 Material: Brass  
 材料厚度 Thickness: 0.25mm  
 包裝數量 Standard Packing: 10000PCS  
 適用電線 Suitable Wire: 22~28AWG  
 配合端子 Suitable Terminal: J24118BS  
 配合塑膠 Suitable housing: H6504  
 表面處理 Treatment: -0 無表面處理, -00 鍍金, -1 鍍鎳, -2 鍍錫  
 (-0 Non surface treatment  
 , -00 Gold flash, -1 Nickel played, -2 Tin plated)

DIMENSION:(MM)

T:0.25 ± 0.03

L:16.2 ± 0.25

E:11.3 ± 0.25

W:1.1 ± 0.1

W1:1.8 ± 0.15

IS:2.5 ± 0.25

WS:2.0 ± 0.25

H:2.7 ± 0.2

H1:2.2 ± 0.2

\* 本成品圖僅供參考,若需做為承認用請聯絡就近業務員確認  
 (The drawing is for reference only,  
 please contact the sales division nearby for final confirmation if it's for approval purpose.)

H/Q: Kaohsiung, Taiwan

總公司: 高雄, 台灣

TEL: 886-7-6223787

FAX: 886-7-6210385

E-mail: jmt6317@jmt.com.tw

Taipei Branch, Taiwan

台北營業所

TEL: 886-2-26940195-7

FAX: 886-2-26940738

E-mail: taipei.jmt@msa.hinet.net

Overseas, Taiwan

外銷業務部

TEL: 886-7-6223787

FAX: 886-7-6210385

E-mail: jmt6318@yahoo.com.tw